

Int. Cl.⁷ B41J 2/01

- / 20-1996-0031306 (1996.09.25)
- / 20-1998-0017911 (1998.07.06)
- / - - (1999.06.15)
- / 20-0146385-0000 (1999.02.26)

/ ()

/

/

/ 1996.09.25 / 3

/ ** ()

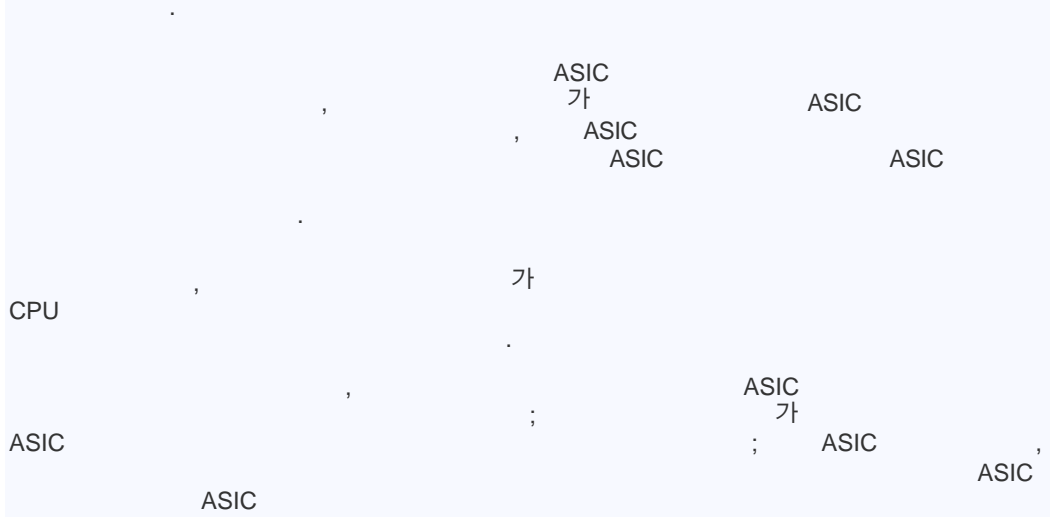
/ ***_**** ()

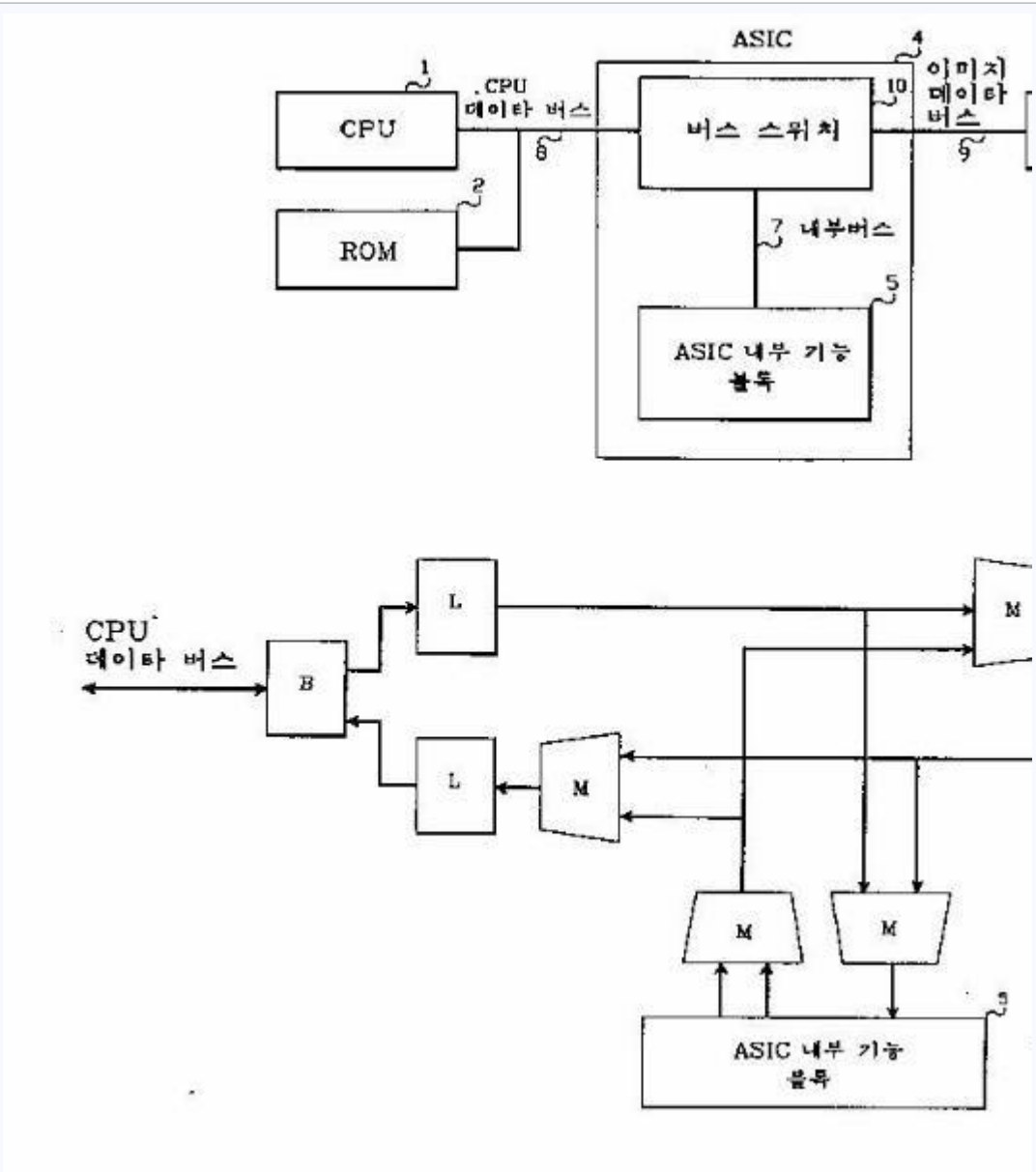
153-29 3 () ()

(가 /) -

(INKJET PRINTER SYSTEM OF DUAL BUS STRUCTURE FOR BUS SWITCH)

가





111996039610185	(19960925)	()	()
111996039610220	(19960925)	()	()
111996039610376	(19960925)	()	()
151996015786491	(19961019)	()	()
151996044644193	(19981126)	()	()
411999000843716	(19990118)	()	()
412000003342065	(20000315)	()	()

412001003611111	(20010329)	()	()
412002503056615	(20021022)	()	()